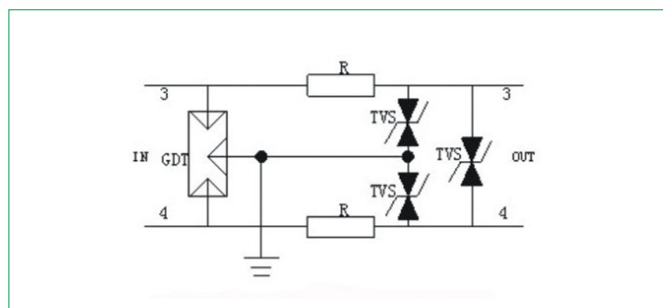
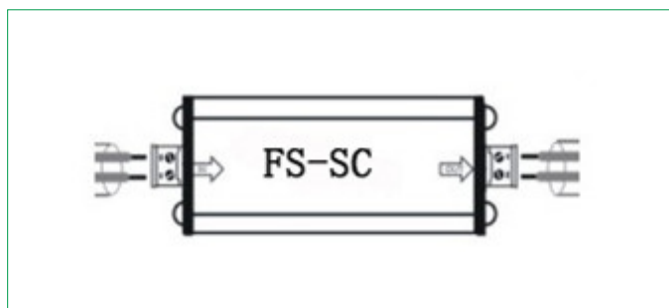


## FS-SC-\*\*\*/\*\*\*



- ◆ Screw Clamping data signal surge protective device applied to the surge protection for telecommunications, e.g. SPC exchangers, twisted pairs of telephone stations, dial-up lines, DDN special line.
- ◆ Convenient mounting
- ◆ Class C surge protection, low residual voltage
- ◆ Built-in semiconductor, quick response
- ◆ Low capacitance design, excellent transmission
- ◆ Can be designed and manufactured according to special requests of clients.



Model No.		FS-SC-5/10	FS-SC-12/10	FS-SC-24/10	FS-SC-48/10	FS-SC-120/1
Type of Network		Signal transmission system				
Nominal voltage 50(60)Hz $U_n$		5V	12V	24V	48V	120V
Max. cont. operating voltage $U_c$		8V	15V	48V	56V	150V
Rated current $I_L$		500mA				
Nominal discharge current (8/20 $\mu$ s) $I_n$		5kA				
Max. discharge current (8/20 $\mu$ s) $I_{max}$		10kA				
Voltage protective level (1.2/50 $\mu$ s)	L-L	$\leq 20V$	$\leq 40V$	$\leq 80V$	$\leq 350V$	$\leq 350V$
	L-PE	$\leq 250V$	$\leq 250V$	$\leq 250V$	$\leq 350V$	$\leq 350V$
Adapt transmission rate Bit/s		10M	10M	10M	1M	1M
Insertion loss dB		$\leq 0.4$ (100M)	$\leq 0.4$ (100M)	$\leq 0.4$ (100M)	$\leq 0.5$ (100M)	$\leq 0.5$ (100M)
Interface (In/Out)		Screw Clamping				
Protected line (Pairs)		Two	Two	Two	Two	Two
Response Time	L-L	$\leq 10ns$				
	L-PE	$\leq 10ns$				
Enclosure color		Black				
Dimension		25×25×86mm				
Testing standard		IEC 61643-21:2000				