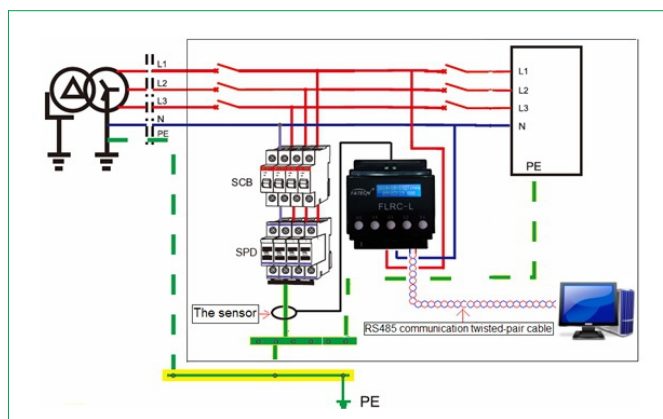
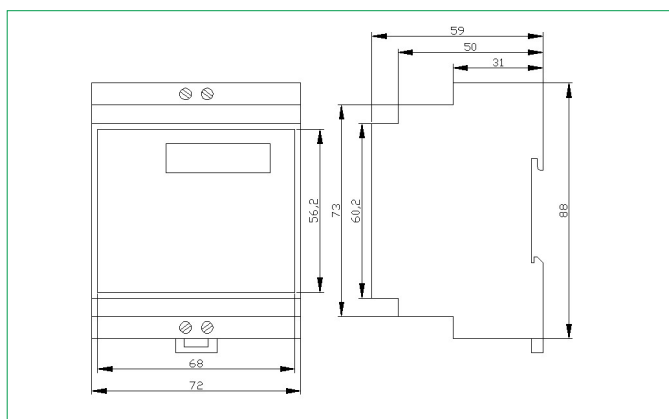


FLRC-L/II



- ◆ Digital type lightning counter is built with time clock function
- ◆ With RS485 communication function, could be communicate with PC.
- ◆ Can register 0~225 of lightning strikes, the data won't be lost in case of power failure.
- ◆ Can check the real time (year/month/day/hour/minute/second) of each lightning strike
- ◆ Number counting repetition up to 1 million times.
- ◆ the counter can clearly indicate whether the installation of the lightning surge damage suffered from the impact of lightning and power line. Because we are now using either Zinc oxide varistors or GDT module only when the physical damage to the structure of these devices, we know that lightning is installed where there is lightning; But after in stalling lightning counter, we'll know at the surge protection products installation place.



Type	FLRC-L/II
Working mode	220V AC
Indicator	0~125
Counting Current (rise time $\geq 8\mu s$)	50A(8/20 μs)
Maximum lightning current	150kA(8/20 μs)
Date/ time indication	Y/M/D/H/M/S
Communication	RS485
Mounting	35mm Symmetrical rail (EN50022/DIN46277-3)
Enclosure material	UL94 V-0
Degree of protection	IP20
Operation temperature range / humidity / altitude	-40°C~+80°C / 30%~90% / 3000m