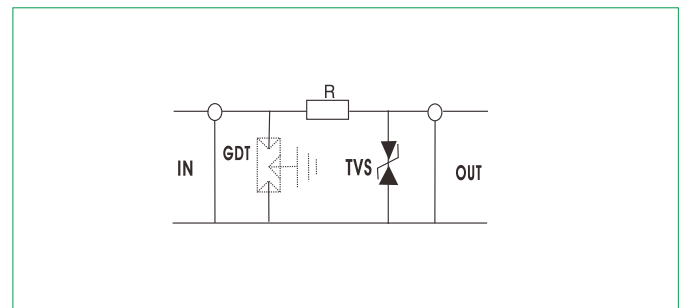
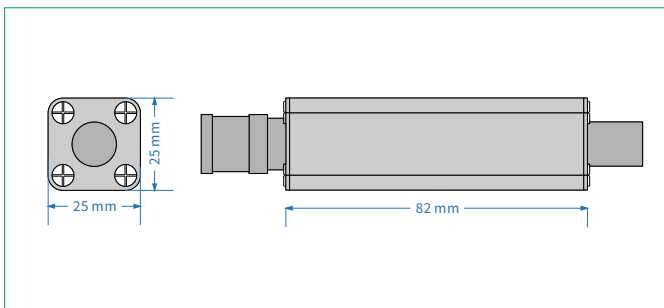


FS-BNC-6/10



- ◆ RF signal surge protective device are applied to the integrated surge protection for the intelligent residential districts & multifunctional supervisory systems, e.g. vidicon powers, matrix controllers, video signals.
- ◆ Monoblock design, excellent protection.
- ◆ Class C surge protection, low residual voltage
- ◆ Low capacitance design, excellent transmission
- ◆ Can be designed and manufactured according to special requests of clients.



Model No.	FS-BNC-6/10	
Type of Network	Signal transmission system	
Nominal voltage 50(60)Hz U_n	6V	
Rated Voltage (Max. Cont. Operating Voltage) U_c	8V	
Rated current (I_r)	0.5A	
Max. discharge current (8/20 μ s) I_{max}	10kA	
Nominal discharge current (8/20 μ s) I_n	5kA	
Voltage protective level U_p	L-L	$\leq 20V$
	L-PE	$\leq 500V$
Adapt transmission rate	10Mbit/s	
Insertion loss	$\leq 0.35Mbit/s$	
Interface	IN	BNC/F
	OUT	BNC/M
Response time t_a	$\leq 10ns$	
Operation temperature range / humidity / altitude	-40°C~+80°C / 30%~90% / 3000m	
Housing material	Aluminium alloy	